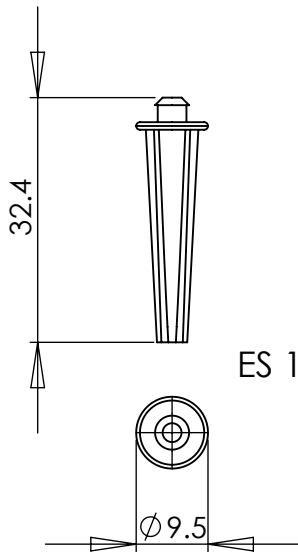
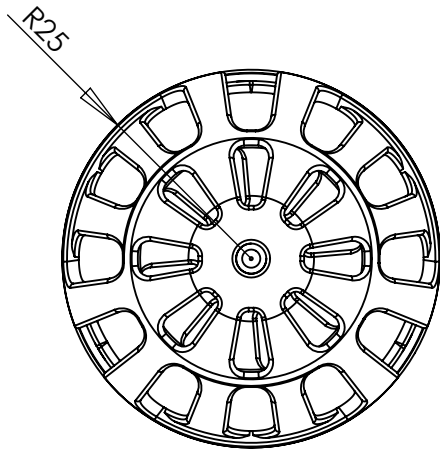
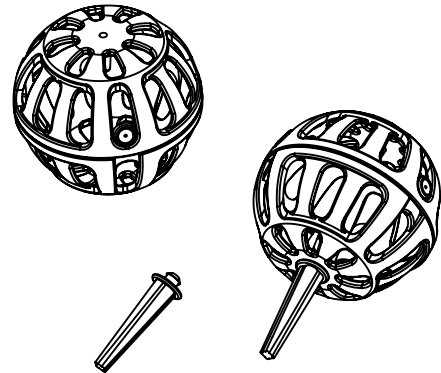


ES 18 Bioball



ES 18 Sprue piece



DIMENSIONS ARE IN mm TOLERANCES: FRACTIONAL $\pm 1/20$ th TWO PLACE DECIMAL $\pm 0.05$ THREE PLACE DECIMAL $\pm 0.05$	NAME	DATE	<b>ecosave</b> systems limited  TEL: +44 (0) 1803 521415 ADDRESS: UNITS 7 & 8, RODGERS INDUSTRIAL ESTATE YALBERTON ROAD, PAIGNTON, SOUTH DEVON, ENGLAND TQ4 7PJ	
	DRAWN	OJ		02/03/2009
	CHECKED	RL		03/03/2009
	ENG APPR.	JE		03/03/2009
	MFG APPR.	MP MFG		06/03/2009
MATERIAL	POLYCARBONATE		Q.A.  COMMENTS: THIS DRAWING IS APPROXIMATE AND SHOULD NOT BE USED AS DEFINITIVE PROOF. IF EXACT DIMENSIONS AND TOLERANCES ARE REQUIRED, PLEASE CONTACT US DIRECTLY.	
FINISH	SPARK ERODED/POLISHED			
DO NOT SCALE DRAWING				
<b>PROPRIETARY AND CONFIDENTIAL</b>  THE INFORMATION CONTAINED IN THIS DRAWING IS THE SOLE PROPERTY OF ECOSAVE SYSTEMS LIMITED. ANY REPRODUCTION IN PART OR AS A WHOLE WITHOUT THE WRITTEN PERMISSION OF ECOSAVE SYSTEMS LIMITED IS PROHIBITED.	SCALE: 1:1 WEIGHT: 46g	SIZE / WEB BASED TECH DRAWING ASSEMBLY 001	REV. 01 SHEET 1 OF 1	